

Semi-automatic bollards H

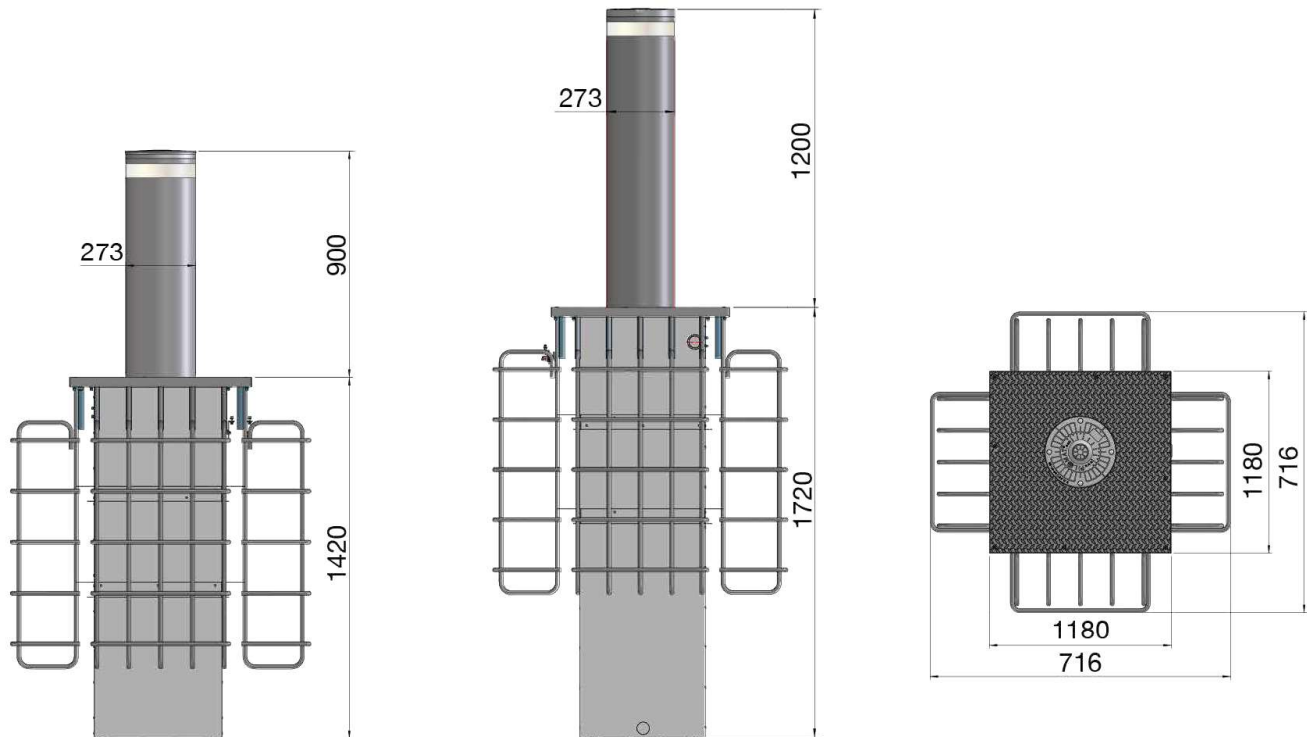
with integrated hydraulic pump

SA275/K4-900 / SA275/M30-1200



Product description		
Semi-Automatic Bollards (SA)	SA275/K4-900	SA275/M30-1200
Height	900 mm	1200 mm
Diameter	273 mm	273 mm
Material thickness	10 mm	16 mm
Material	Steel S355JR Stainless steel (AISI 304)/(AISI 316)	
Surface treatment	Steel version: anti-corrosion treatment - standard painting* Stainless steel version: standard painting* or brushed	
Movable cylinder	Reflecting strips (height 55 mm) Yes	
Lifting and lowering actuation	Turning movement with a cordless screwdriver (adapter for lifting/lowering using a cordless screwdriver included in the scope of delivery) A commercially available cordless screwdriver with a power of at least 31 Nm / 5.0 Ah is suitable.	
Lifting speed	8 cm/s	8 cm/s
Lowering speed	20 cm/s	20 cm/s
Impact energy without destruction - impact resistance	250,000 J	700,000 J
Impact energy with destruction - breakout resistance	750,000 J	1,200,000 J
Connecting lead for LED lighting strips (optional)	Standard 10 m (max. 80 m)	
Connecting lead for heating element (optional)	Standard 10 m (max. 50 m)	
Temperature range	From -40°C to +70°C (for low temperatures, see heating element article no. 4515342)	
Certified acc. to	PAS68, IWA14-1, ASTM M30 (K4)	PAS68, IWA14-1, ASTM M30 (K4)
Conforming with	-	ASTM M40 (K8)
Load rating acc. to EN 124	D400 Regulation	

* For orders with no surcharge in RAL to choose, the standard colour is Anthracite grey.



Semi-automatic bollards H

with integrated hydraulic pump

SA275/K4-900 / SA275/M30-1200



SA275/K4-900 / SA275/M30-1200 with integrated hydraulic pump		SA275/K4-900	SA275/M30-1200
		Article no.	Article no.
Semi-automatic bollard SA275/K4-900 / SA275/M30-1200	Steel painted	PL201091	PL201021
	Stainless steel painted	PL207091	PL207021
	Stainless steel brushed	PL213091	PL213021
Semi-automatic bollard SA275/K4-900 / SA275/M30-1200 + Lighting strips with 25 LEDs	Steel painted	PL201093	PL201023
	Stainless steel painted	PL207093	PL207023
	Stainless steel brushed	PL213093	PL213023
Foundation box for semi-automatic bollards			Article no.
Steel foundation box with aluminium zinc coating	SA275/K4-900		PL151032
With counterframe and reinforcement rods	SA275/M30-1200		PL151034
Surcharge for upper counterframe made of stainless steel AISI 304			AA101861
Suspended foundation box kit for SA275/K4-M30 bollard – upper plate, frame cover and lower water-tight stainless steel foundation box (excluded chemical anchors)			AA105671
ATTENTION! The bollard assembled in the suspended foundation box is not crash-test certified			
Metal cover cap for foundation box SA275/K4-900 / SA275/M30-1200 (with screws)			AA900351
Optional extras for semi-automatic bollards			Article no.
Surcharge for painting the cylinder in RAL to choose			AA900741
Surcharge for cylinder version in brushed stainless steel (AISI 316)	Cylinder 275-900		AA104071
	Cylinder 275-1200		AA104101
Protection against corrosion - marine treatment - for painted steel bollards (recommended for saline ambient conditions)	SA275/K4-900		AA107081
	SA275/M30-1200		AA107121
Protection against corrosion - marine treatment - for painted stainless steel bollards (recommended for saline ambient conditions)	SA275/K4-900		AA107091
	SA275/M30-1200		AA107131
Protection against corrosion - marine treatment - for brushed stainless steel bollards (recommended for saline ambient conditions)	SA275/K4-900		AA107101
	SA275/M30-1200		AA107141
Knurling on SA275/K4-M30 bollard with steel cylinder (difference)	Cylinder 275-900		AA101781
	Cylinder 275-1200		AA101811
Knurling on SA275/K4-M30 bollard with stainless steel cylinder (difference)	Cylinder 275-900		AA101831
	Cylinder 275-1200		AA101821
Biodegradable oil in the hydraulic pump			BB100011
LED lighting strip power supply for semi-automatic / fixed bollards (max. 8)			AA107341
LED lighting strips line extension (80 m max.), supplied in 5 m increments	Per m		AA107551
Heating element incl. transformer and thermostat 80 W, connecting lead 10 m	SA275/K4-900		AA100041
Heating element incl. transformer and thermostat 150 W, connecting lead 10 m	SA275/M30-1200		AA100901
Heating element line extension (50 m max.), supplied in 5 m increments	Per m		AA107811
Housing for fitting to wall – required when heating element is ordered (State number of heating elements to be operated when placing the order)			AA106051
Cylinder cover (head) and reflecting strip (no logo)	difference		AA108811
Surcharge for stainless steel base plate (corrugated sheet) (AISI 304)	difference		AA101871
Surcharge for stainless steel cylinder cover (AISI 304)			AA101911
Surface customisation of the cylinder cover, e.g. with a city crest or a logo			
Additional screw insert for lifting / lowering the bollard using a cordless screwdriver			AA107791
Cordless drill/driver 18V torque soft/hard/max 31/60/- Nm - 2 x 5.0 Ah li-ion battery - case			AA108331
Additional security lock incl. 2 keys, profile half cylinder			AA107511
Kit to modify the bollard SA275 K4/M30/K12/M50 for inclined road			AA108151
Project inclination required (if not available)			AA108161